



Model: MRC-400

Metal Building Roof Curb with Loose Panel Ribs for Over/Over Panels at Existing or New Construction and Under/Under or Under/Over at New Construction.

Added Options:

- 1.
- 2.
- 3.
- 4.
- 5.

Standard Construction:

One piece curb; insulated or non-insulated; 8" minimum height; 18ga. Galvalume steel shell and base plate; corners mitered and welded watertight; welds are micro-sealed and prime painted after fabrication; integral water diverter; loose panel ribs(R and SSR roof panels only).

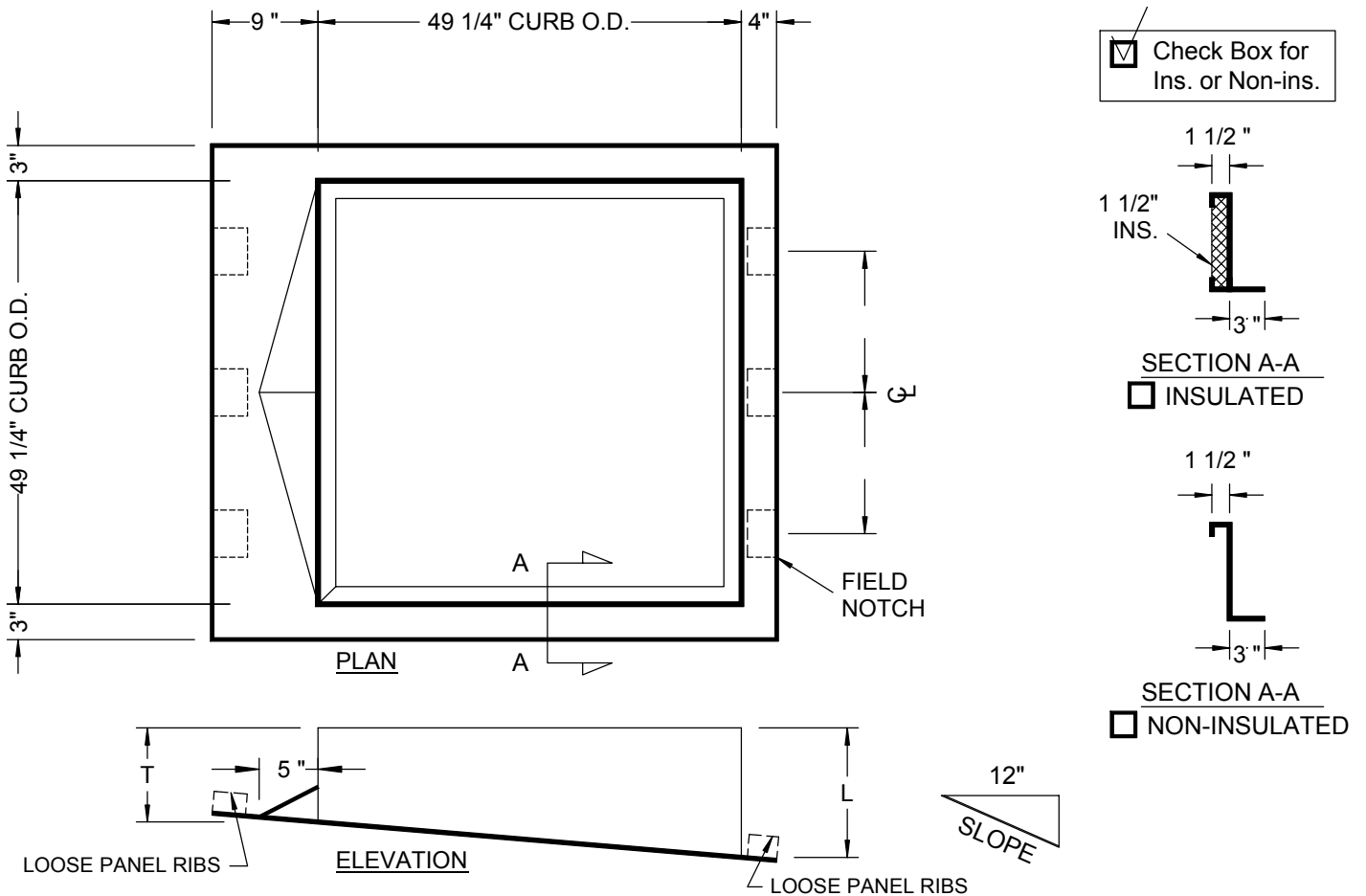
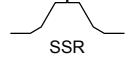
Project:

Match Roof Panel: _____

No. of Ribs under Panel each curb: _____



No. of Ribs over Panel each curb: _____



QTY.	I.D.	O.D.	T	L	TAG:
	46 1/2" x 46 1/2"	49 1/2" x 49 1/2"			