



**Model: SB-RTE1W Retrofit Burglar Bars for Installation at Top of Roof Curbs**  
**(One-way bars with extended frame held down inside roof curb)**

**Standard Construction:**

Frame: Welded 16 ga. Galvanized steel. Burglar Bars are welded in a single direction.  
 All welds micro-sealed and prime painted after fabrication.

Added Options (When Required):

RPI Job #: -

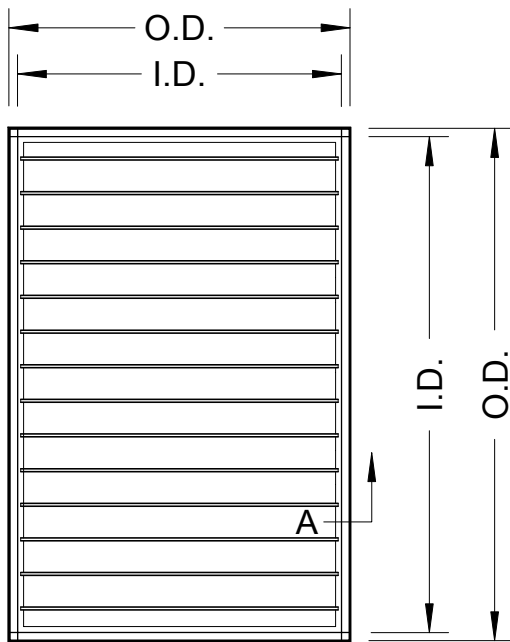
Project: \_\_\_\_\_ Architect: \_\_\_\_\_

TO INSTALL ON TOP OF NEW OR EXISTING ROOF CURBS

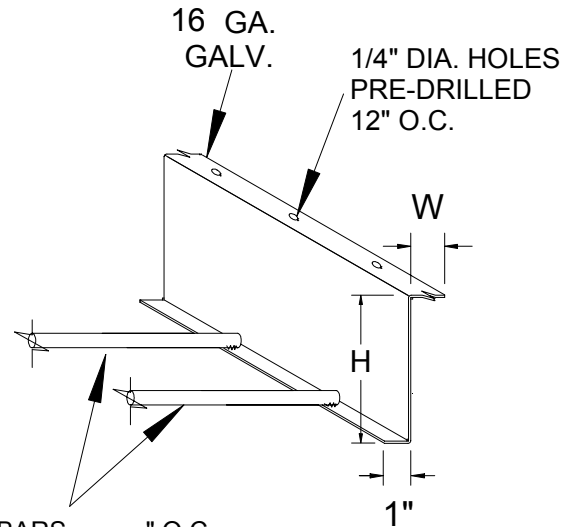
**BAR SIZE**

- 1/2"
- 3/4"
- 1"

HARDENED TOOL RESISTANT



PLAN



BURGLAR BARS \_\_\_\_\_" O.C.  
 ONE DIRECTION OR SHORT WAY  
SECTION - A (ISO)

Qty.	I.D.	O.D.	H	W	Tag: