



Model: SB-RTE2W Retrofit Burglar Bars for Installation at Top of Roof Curbs

(Two-way bars with extended frame held down inside roof curb)

Standard Construction:

Frame: Welder 16 ga. Galvanized steel. Burglar Bars are welded in a grid pattern.
 All welds micro-sealed and prime painted after fabrication.

Added Options (When Required):

RPI Job #: -

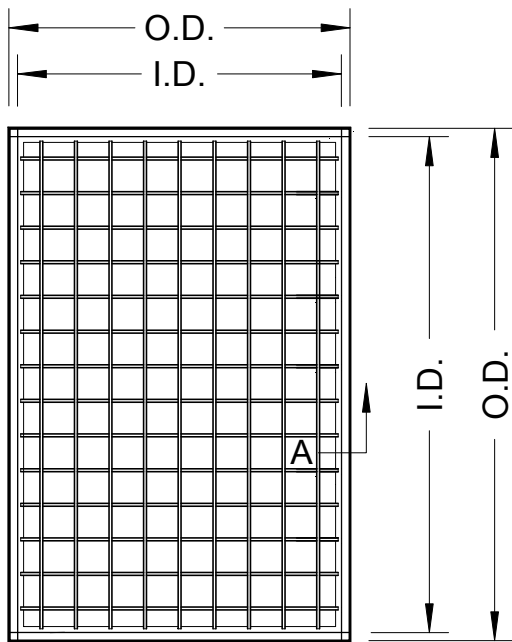
Project: _____ Architect: _____

TO INSTALL ON TOP OF NEW OR EXISTING ROOF CURBS

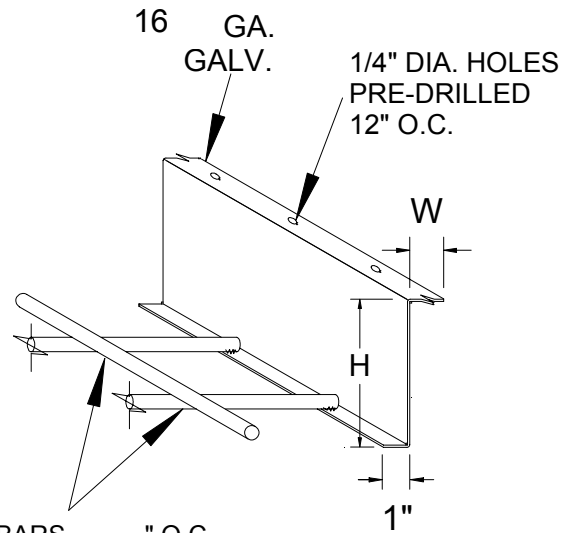
BAR SIZE

- 1/2"
- 3/4"
- 1"

HARDENED TOOL RESISTANT



PLAN



BURGLAR BARS _____" O.C.
 BOTH DIRECTIONS

SECTION - A (ISO)

Qty.	I.D.	O.D.	H	W	Tag: