



Model: SS-400/800/825/850 Retrofit Safety Screen for Installation at Top of Roof Curbs

Standard Construction:

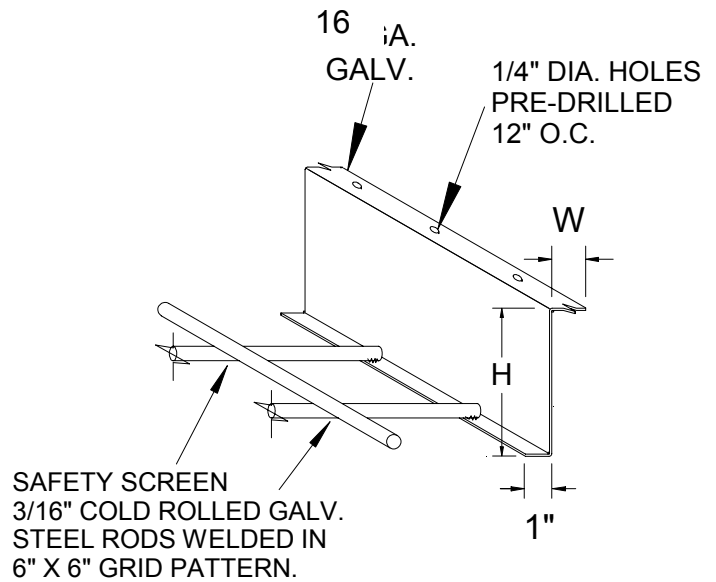
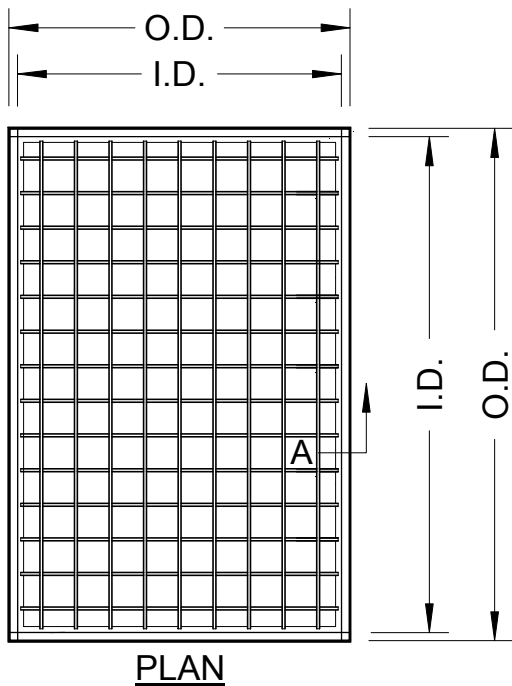
Frame: Welded 16 ga. Galvanized steel. Safety Screen: 3/16" cold rolled Galvanized steel rods welded in 6" x 6" grid pattern. All welds micro-sealed and prime painted after fabrication.

Added Options (When Required):

RPI Job #: -

Project: _____ Architect: _____

TO INSTALL ON TOP OF NEW OR EXISTING ROOF CURBS



Qty.	I.D.	O.D.	H	W	Tag:
	46" x 46"	49 1/2" x 49 1/2"			SS-400
	47 1/2" x 95 1/2"	51" x 99"			SS-800
	45 3/4" x 89 3/4"	49 1/4" x 93 1/4"			SS-825
	46" x 92"	49 1/2" x 95 1/2"			SS-850