



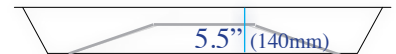
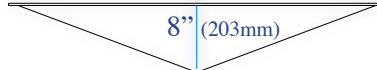
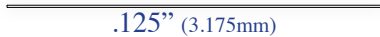
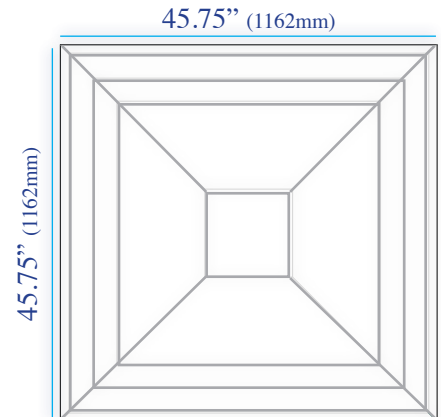
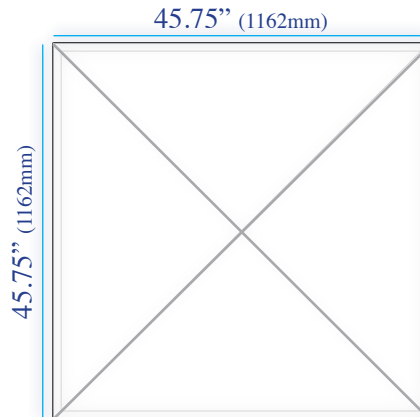
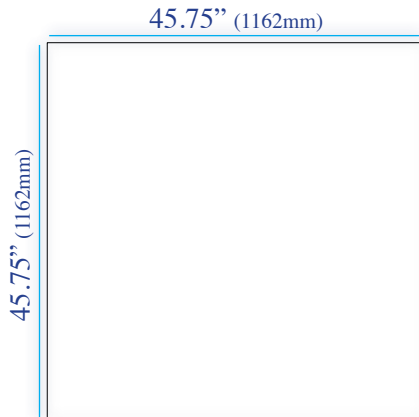
  
**CIRALIGHT**  
**SunTrackers**  
*“We Speak Sun”*  
*A Sustainable Lighting Solution*

## Bottom Diffuser Lenses

Flat Diffuser Lens  
(Prismatic)

Pyramid Diffuser Lens  
(Prismatic)

Low Ceiling Diffuser Lens  
(Frosted)



### Specifications

<b>Material</b>	Plastic: Acrylic or Polycarbonate
<b>Dimensions</b>	45.75 x 45.75in. (1162 x 1162mm) Material Thickness = .125in. (3.175mm)
<b>Weight</b>	Flat, Acrylic = 6lbs. (2.72kg) / Flat, Polycarbonate = 7lbs. (3.175kg) Pyramid, Acrylic = 5lbs. (2.27kg) / Pyramid, Polycarbonate = 8lbs. (3.63kg) Low Ceiling, Acrylic = 10lbs. (4.54kg)
<b>Note:</b>	SunTracker 400 (4' x 4') requires one (1) Bottom Diffuser Lens SunTracker 800 (4' x 8') requires two (2) Bottom Diffuser Lenses



DAYLIGHTING collaborative

