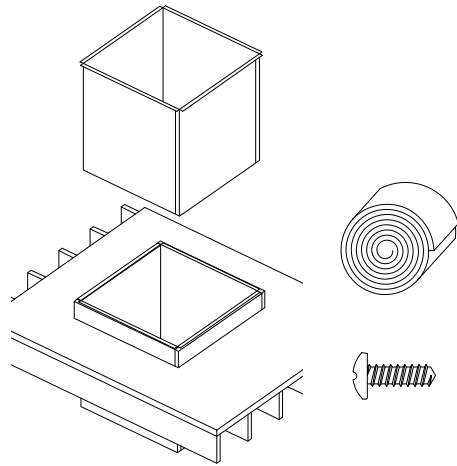
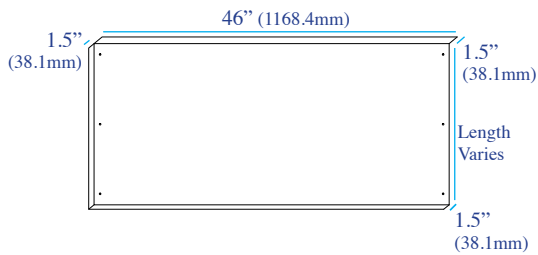




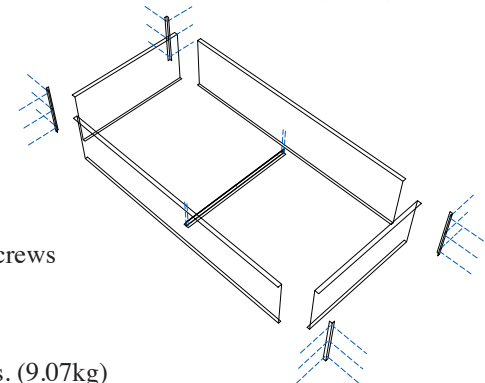
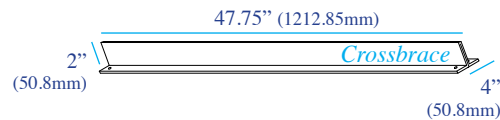
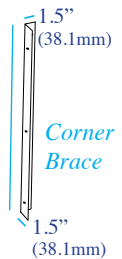
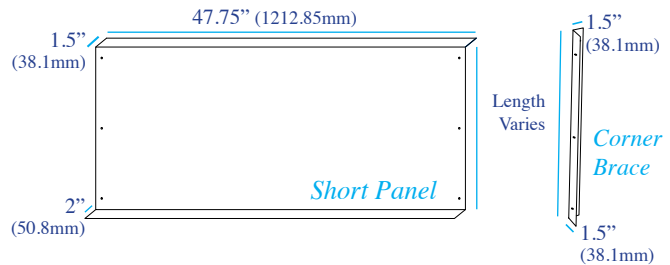
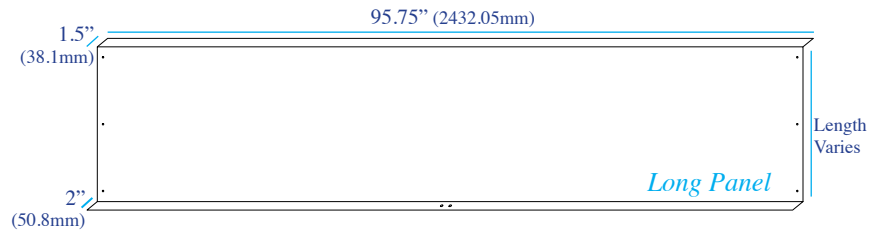
  
**CIRALIGHT**  
**SunTrackers**  
*“We Speak Sun”*  
*A Sustainable Lighting Solution*

## Lightwell Assembly

SunTracker 400



SunTracker 800



### Specifications

<b>Material</b>	Aluminum with Highly Reflective Regal White Coating Additional Materials: Insulating Foam Tape, Silicone Sealant, Screws
<b>Dimensions</b>	Length and Height vary Material Thickness = .039in. (.99mm)
<b>Weight</b>	SunTracker 400 Full 2ft. (609.6mm) Lightwell assembly = 20lbs. (9.07kg) SunTracker 800 Full 2ft. (609.6mm) Lightwell assembly = 30lbs. (13.61kg)
<b>Note:</b>	SunTracker 400 (4' x 4') requires four (4) Lightwell Panels

